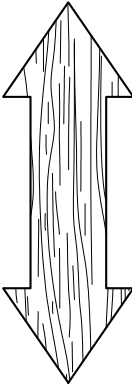


CUT TEMPLATE
OUT ON THIS
DASHED LINE


CUT LINE
FOR SAW

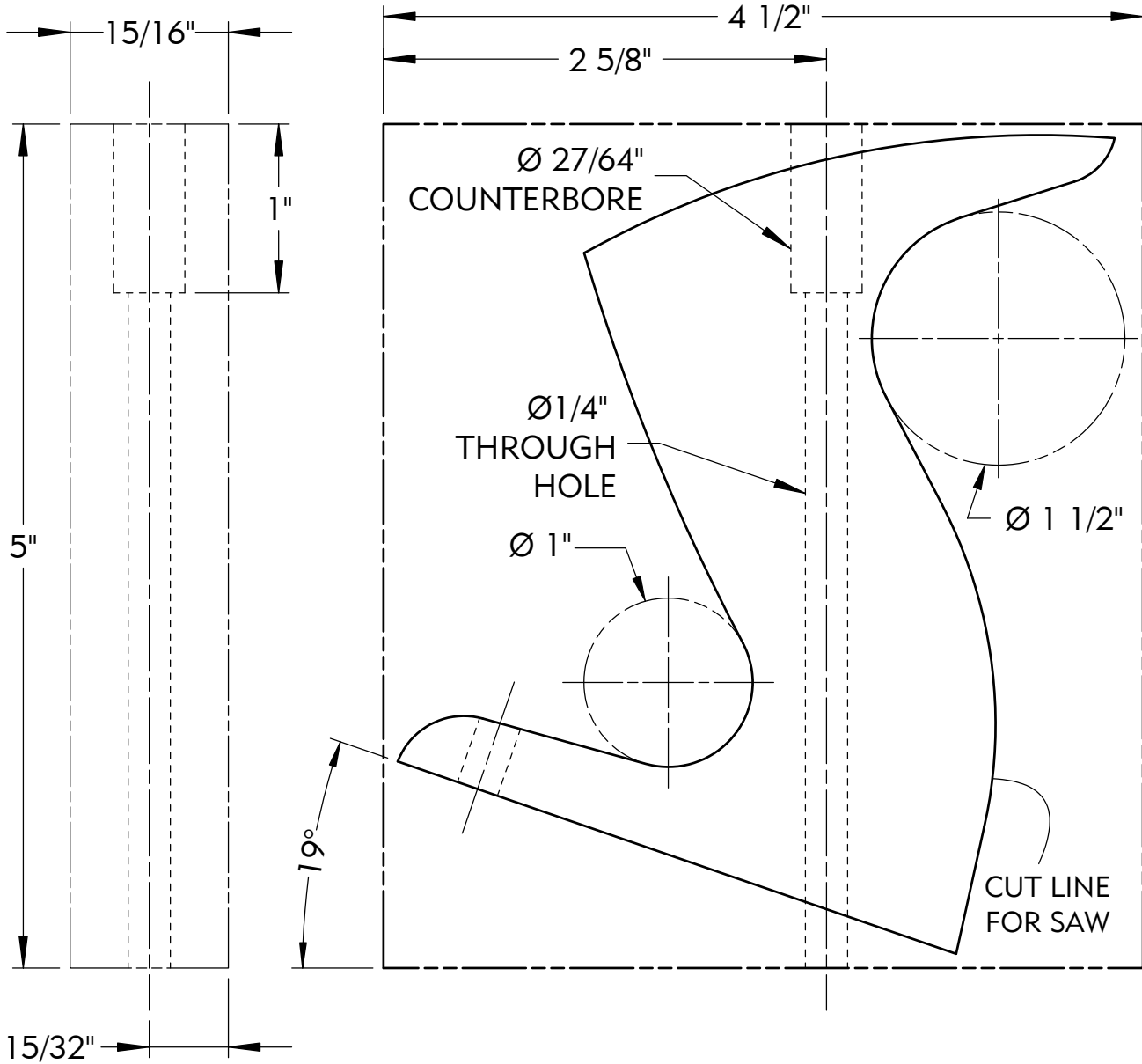
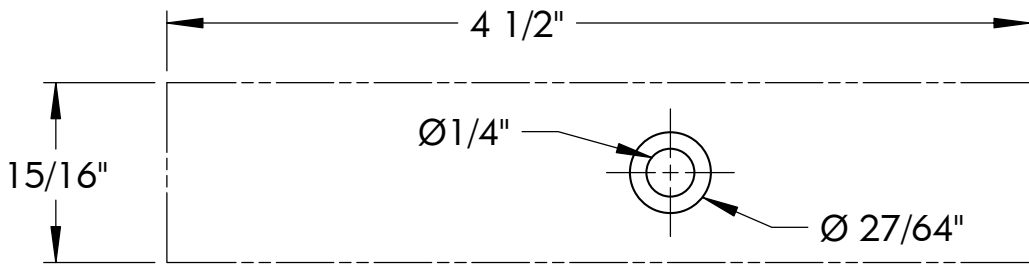
PRINT THIS TEMPLATE,
CUT OUT AND GLUE TO
4-1/2" X 5" X 15/16"
MATERIAL BLANK

WOOD GRAIN
ORIENTED
LEFT-TO-RIGHT



Sargent 414 & Larger Tote Template	Scale: 1" = 1"
	Date: Dec 20th, 2016
	Designed by: Don Wilwol
	Drawn By: Vector Illustration LLC

 **TIME TESTED TOOLS**



Sargent 414 & Larger Tote Template

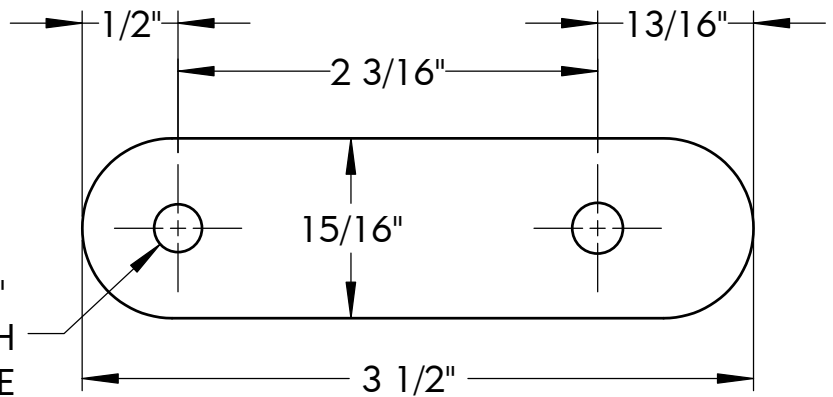
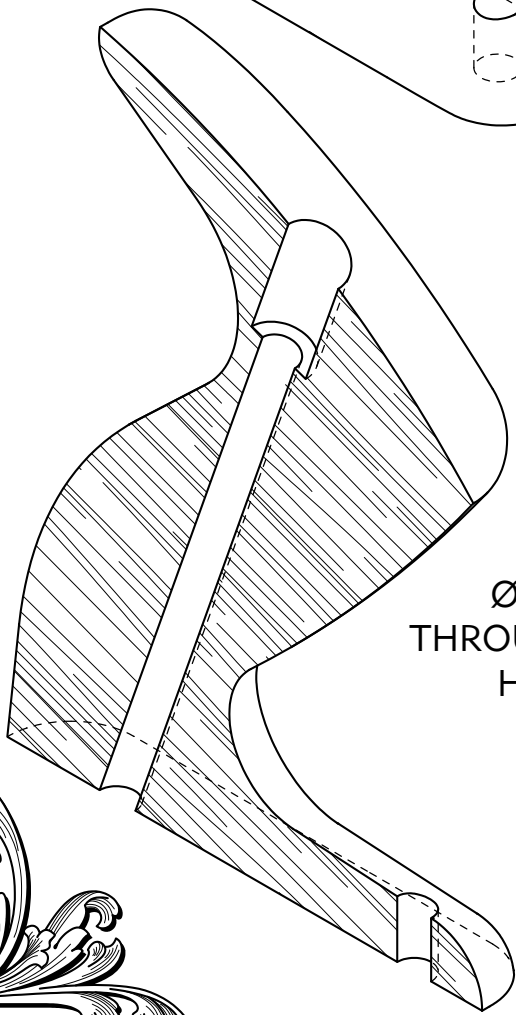
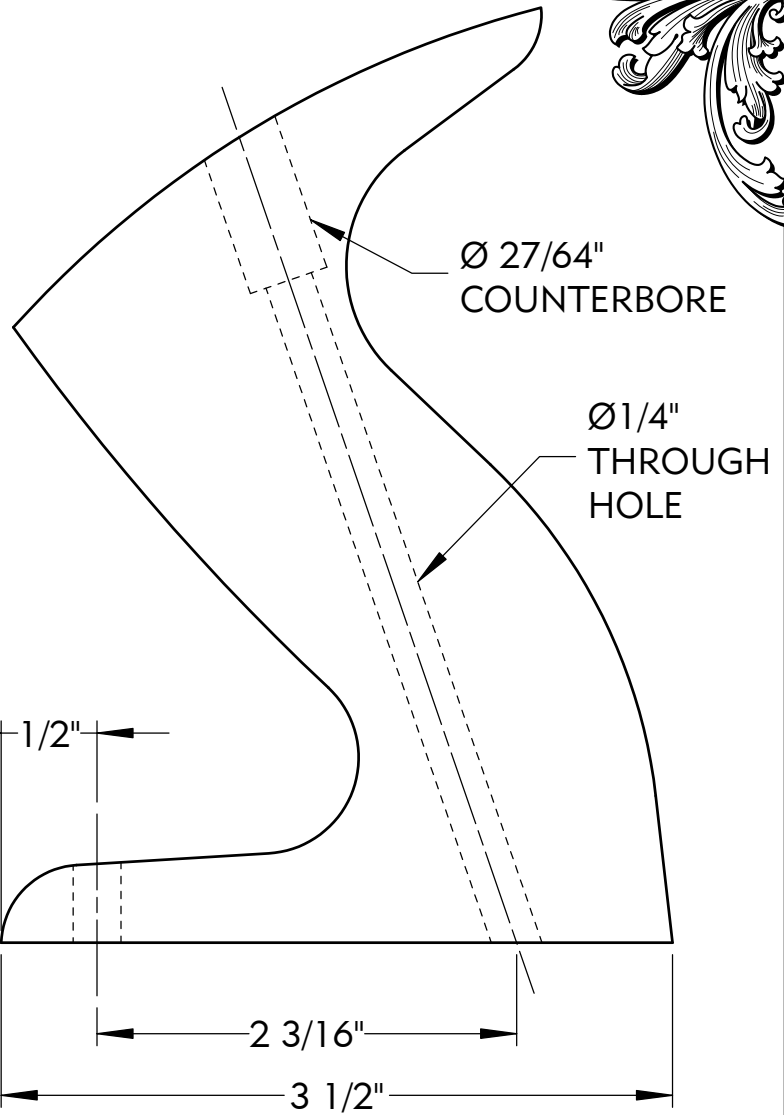
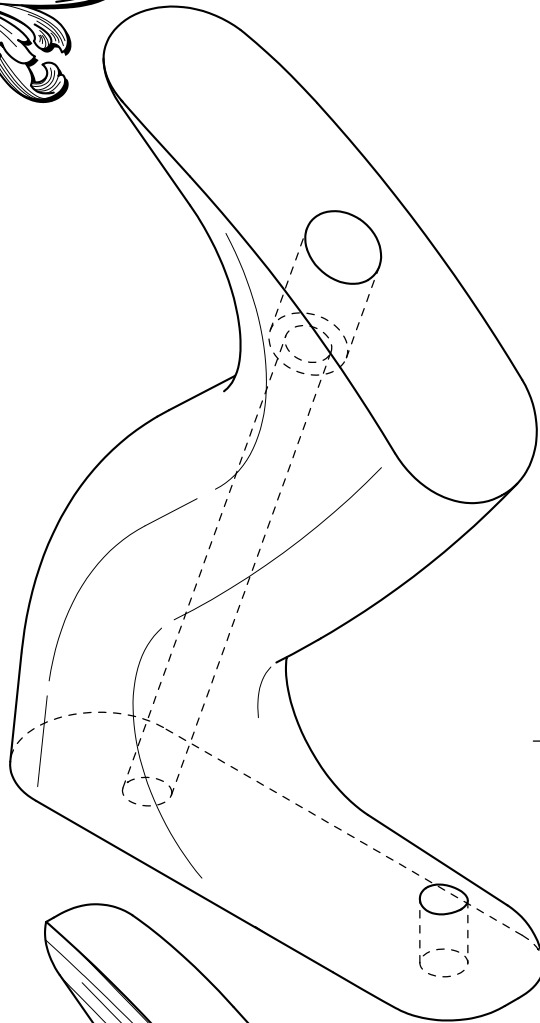


Scale: 1" = 1"

Date: Dec 20th, 2016

Designed by: Don Wilwol

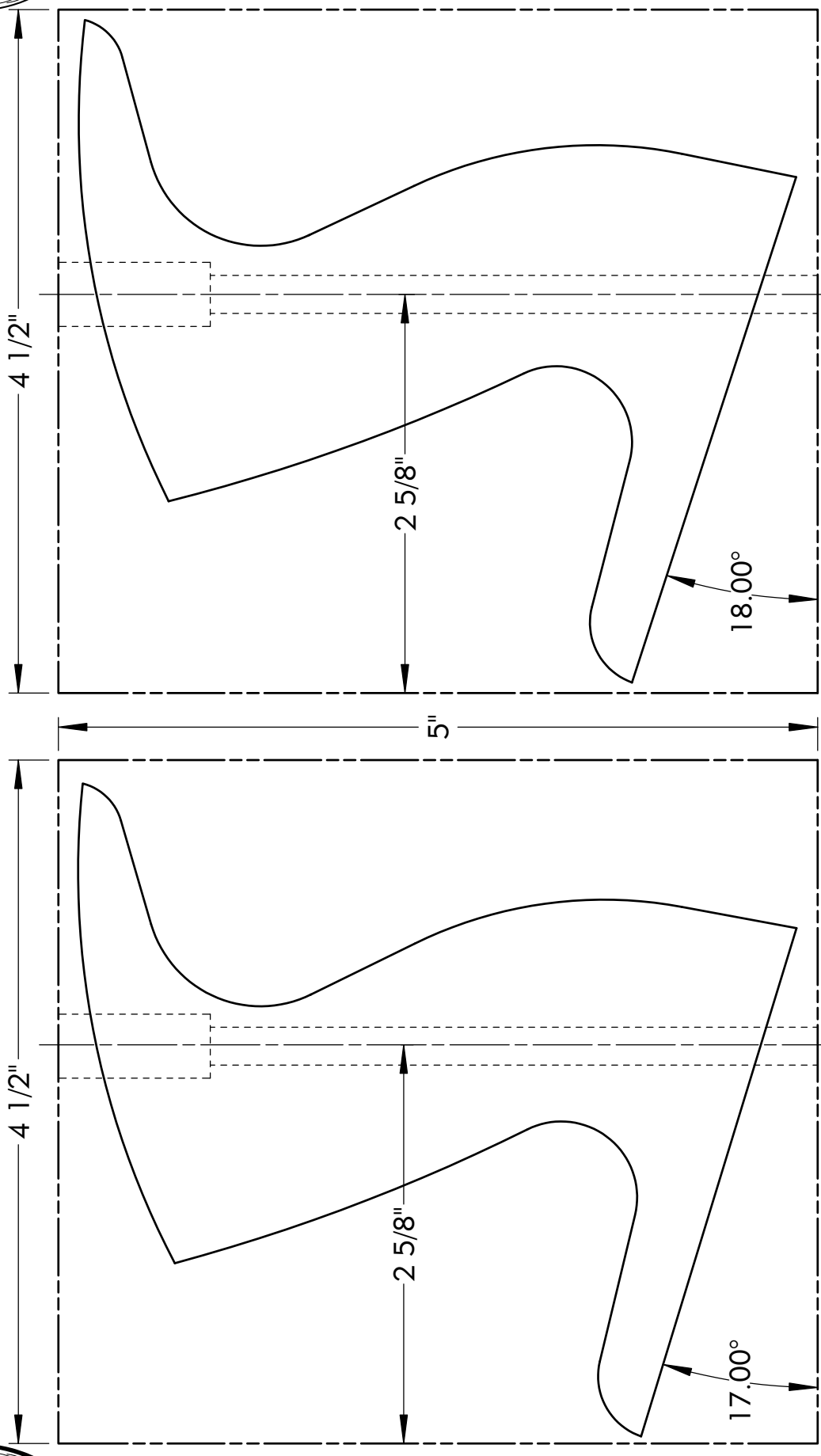
Drawn By: Vector Illustration LLC



Sargent 414 & Larger Tote Template



Scale: 1" = 1"
Date: Dec 20th, 2016
Designed by: Don Wilwol
Drawn By: Vector Illustration LLC



Sargent 414 & Larger Tote Template



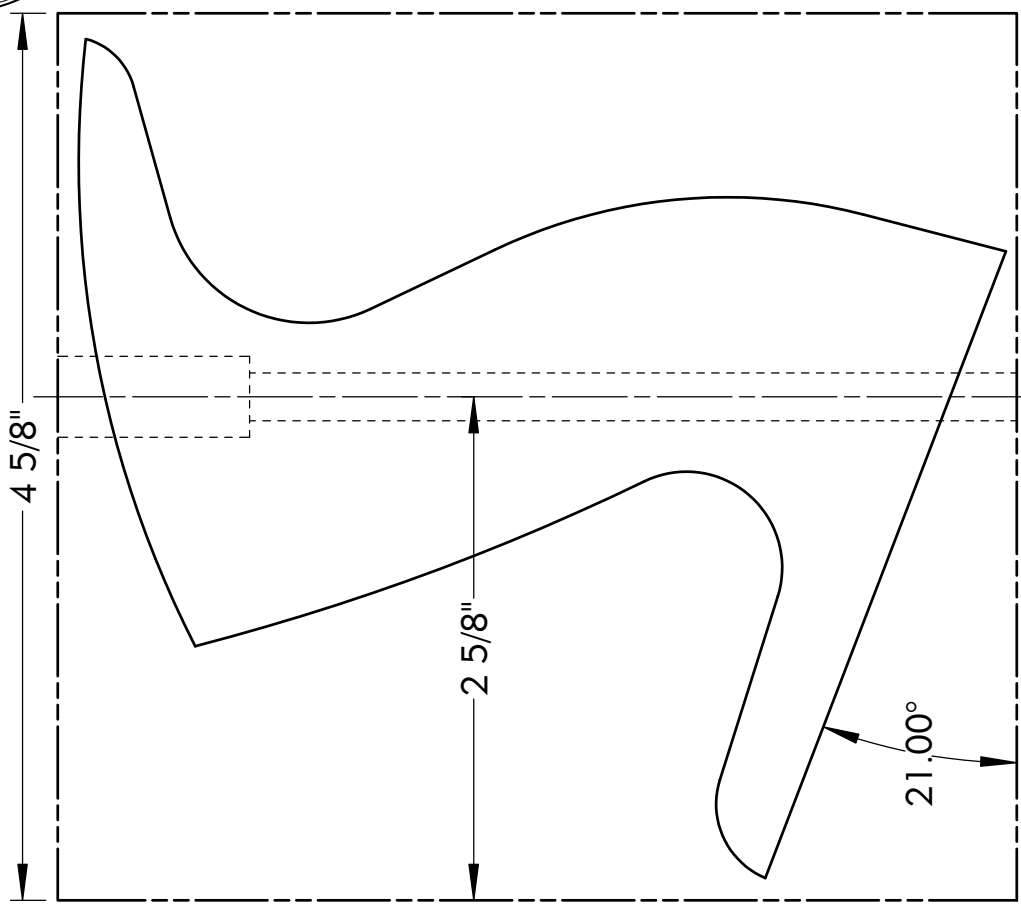
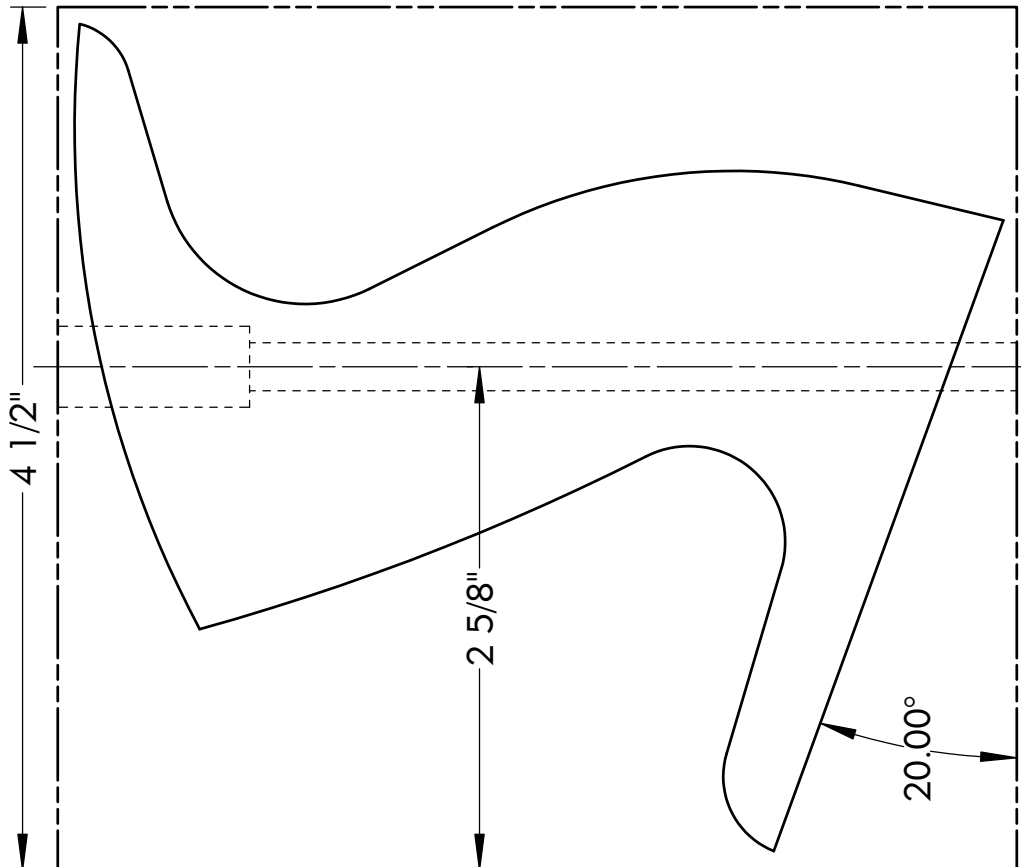
Scale: 1" = 1"

Date: Dec 20th, 2016

Designed by: Don Wilwol

Drawn By: Vector Illustration LLC

NOTE: 21° TEMPLATE IS WIDER



Sargent 414 & Larger Tote Template



Scale: 1" = 1"

Date: Dec 20th, 2016

Designed by: Don Wilwol

Drawn By: Vector Illustration LLC